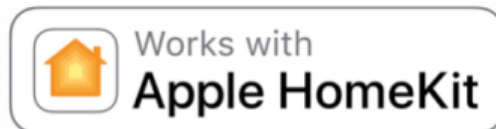


Shelly RGBW 2

With Apple HomeKit Support

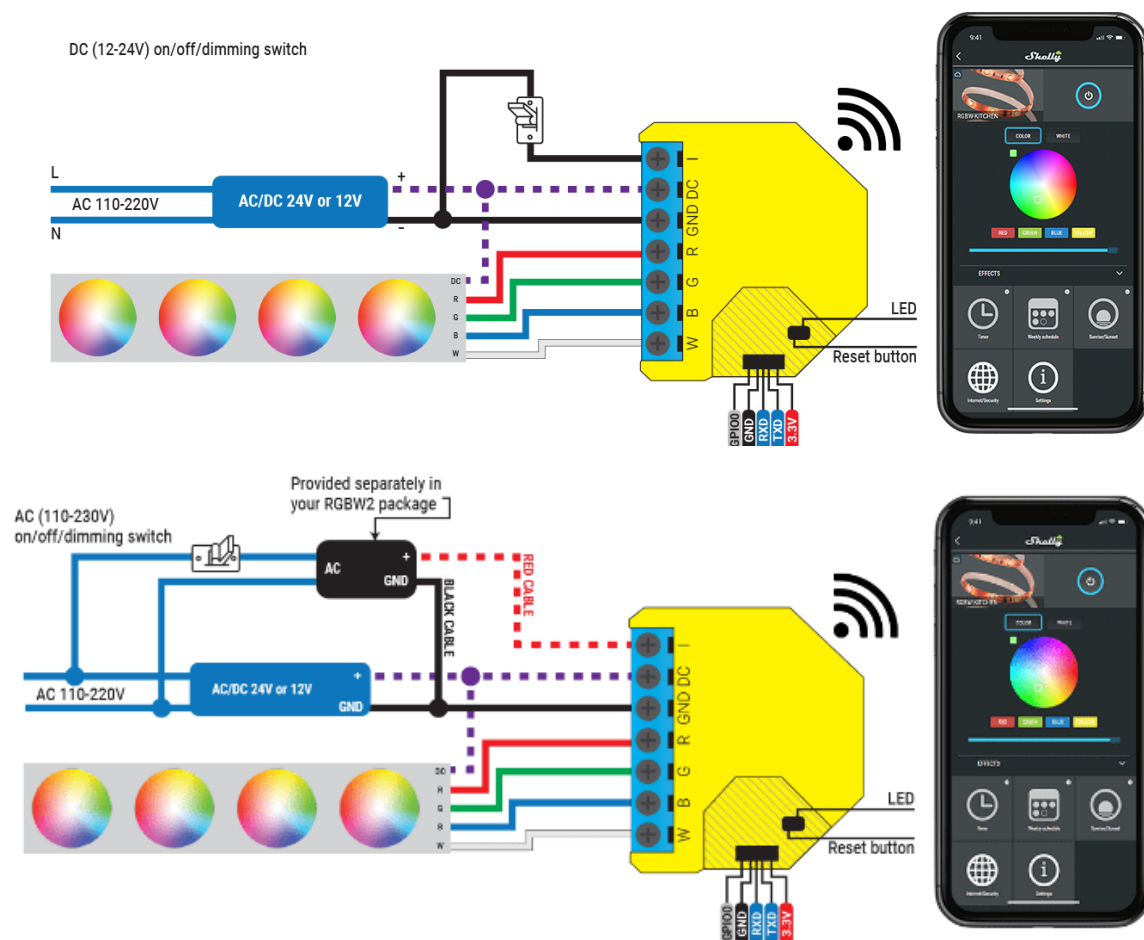


Crypto services s.r.o.

Table of Contents:

- [Connect Device to your Home WiFi Network](#)
- [Connecting Accessories to the HomeKit](#)
- [Entering Setup Mode](#)
- [Change WiFi Network](#)
- [Reconnecting to WiFi Network](#)
- [Reset HomeKit ID](#)
- [Remove WiFi Settings](#)
- [Saving Changes](#)
- [Factory Reset](#)
- [Questions and Answers?](#)
- [Specifications](#)

Device Connection

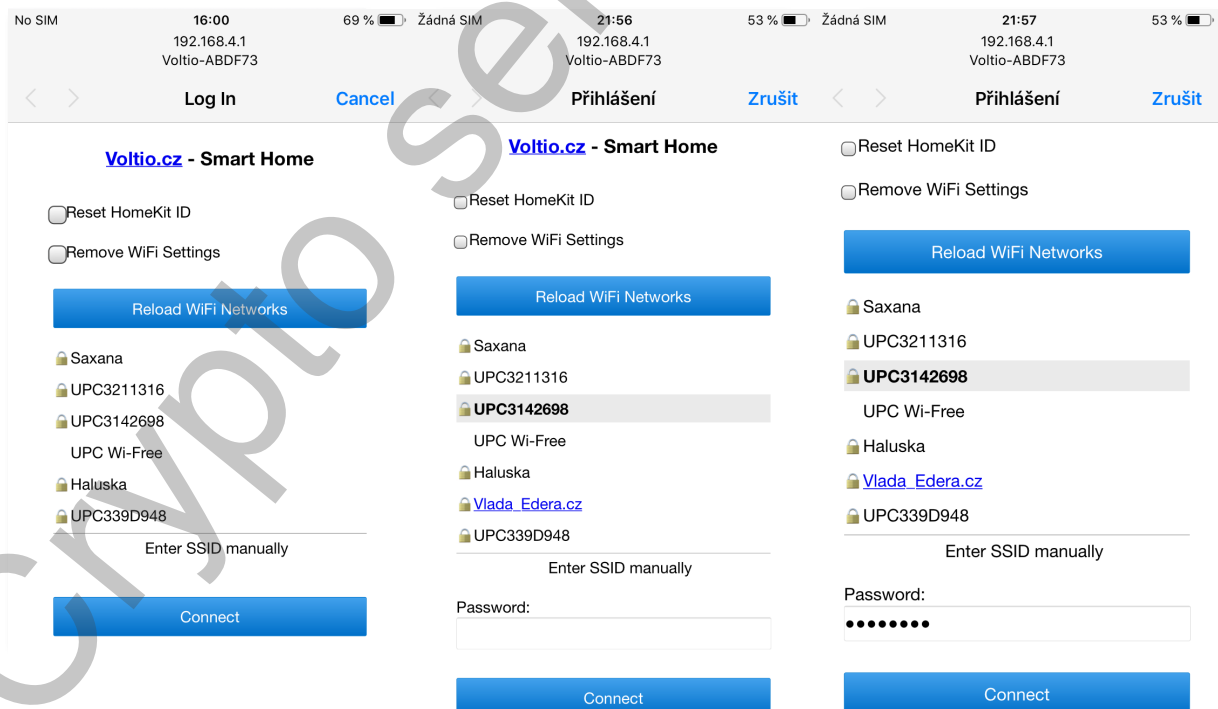


Connect Device to your Home WIFI Network

After connecting the switch to power, the switch can be toggling manually using the button on the top of the cover. To be able to operate the switch remotely, we must first connect it to the home wifi network. The picture below shows that Shelly creates its own wifi network.

1. Go to your wifi network settings on your mobile device (iPhone, iPad or MacBook).
2. Select the device with SSID VOLTIO-XXXXXX (where XXXXXX are the last six characters of its MAC address).
3. Select login to the wifi network in which HomeKit will be used and enter the appropriate password.

Note: If you have multiple routers in your home, you only need to leave one on for the entire time that the device is logged on to the network and HomeKit.

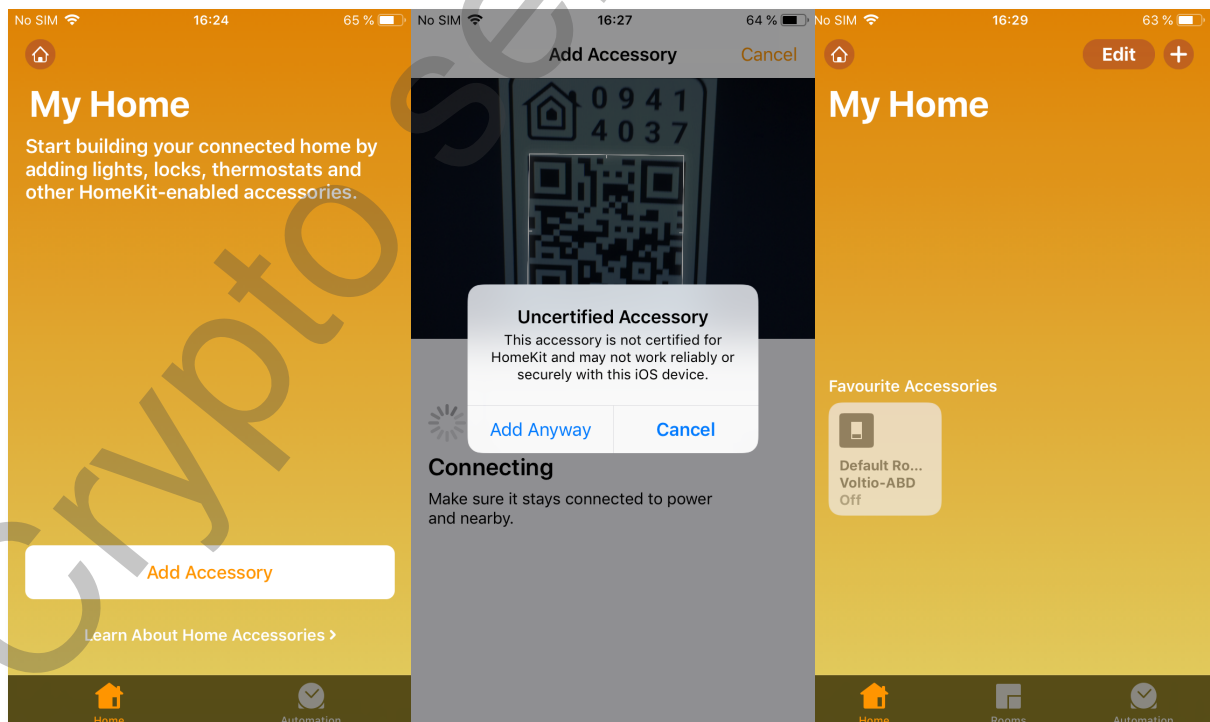


Connecting Accessories to the HomeKit

1. Open the Home app and select the Add Accessories button
2. Scan the code:



3. If you cannot scan the password, select “I cannot scan” next “Enter Code” and enter the password: 094-14-037
4. Select accessories VOLTIO-XXXXXX
5. After a while (approx. 30 seconds), a switch will appear in the HomeKit.
6. If you cannot add your device to HomeKit because you don't see it in available devices, unplug it and plug it in after a while. If this does not help, reset the switch to the factory settings [here](#).



Entering Setup Mode

To put the switch to setup mode, you have to choose one of two following options.


1. In the Home App, you quickly toggle the switch status 10 times in a row.
2. You physically press the switch button 10 times in quick succession.

Then the LED on the switch blinks three times to indicate that you have entered the setup mode.

It will not be possible to enter the setup mode if the device sees the original WiFi network to which it was connected, so it is necessary to turn off the original WiFi network to enter the setup mode. If the device is in the setup mode and connected to WiFi, it is possible to connect to it via an Internet browser through its IP address.

Emergency Setup Mode: If a device has its power cut off or freezes within 3 seconds of booting, next time it boots it will go directly to setup mode.

Change WiFi Network

The setup mode page displays a list of WiFi networks within the range of the device. The list can be refreshed by clicking on the  WiFi Networks button. If you want to change the network you must enter the Setup Mode, then select one of the available networks and enter the network password when requested.

If your SSID is hidden then you can enter its details manually by clicking on the Enter SSID manually button. You will then be prompted to enter an SSID and a password. Make sure you enter both correctly.

Reconnecting to WiFi Network

If the WiFi network becomes unreachable, the device will continually retry its connection until it becomes available again.

Reset HomeKit ID

If you remove the device from the Home app, you must check the Reset HomeKit ID box in Setup mode.

Setting this option resets the HomeKit ID used by the device when you press it, and then press the Save button.

When making changes to a device that requires the HomeKit ID to be reset follow this procedure:

1. Remove your device from the Home App
2. Turn Off Your WiFi Network
3. Enter Setup Mode on the device
4. Select Reset HomeKit ID
5. Turn On Your WiFi Network
6. Select Connect
7. Pair the device with your Home App again.

Remove WiFi Settings

You can remove any currently saved WiFi settings by enabling the Remove WiFi Settings option and then clicking Save. The device will remove any previously stored SSID and password and then reboot. As no WiFi settings will be available on reboot the device will immediately enter Setup mode.

When making changes to a device that requires Remove WiFi Settings follow this procedure:

1. Remove your device from the Home App
2. Turn Off Your WiFi Network
3. Enter Setup Mode on the device
4. Select Reset HomeKit ID
5. Select Remove WiFi Settings
6. Connect to a new WiFi network
7. Select Connect
8. Pair the device with your Home App again.

Saving Changes

Clicking Save will save any changes you have made while in setup mode, apply them and reboot the device to use them.

Factory Reset

To reset the device to the factory settings follow these steps:

1. Turn Off WiFi Network
2. Enter setup mode
3. Reset HomeKit ID
4. Remove WiFi Settings
5. Save Changes

Questions and Answers?

- **What to do when I have a device connected and can't see its WiFi network?**

If you have properly connected the device to the power supply and you do not see its WiFi network, reset the device to the factory settings.

- **I've connected my device to Wifi and can't see it on devices that I can add in the Home app?**

Make sure you have connected the device to the same WiFi network on which you want to run HomeKit. If the device is not connected to the same WiFi network, it will not appear on devices that you can add to the Home app.

Recommendation: If you are running multiple routers in your home, leave only one device turned on and turn off the others. Even though the device appears to be a single WiFi network, it can cause you a problem connecting the device.

- **How do I make sure my device is properly connected to the WiFi network?**

If you are sure that you selected the correct network and entered the correct password when WiFi is logged in, the device will no longer appear as an AP access point and you should not see its SST VOLTIO_XXXXXX in the available WiFi networks.

- **Does the 5 GHz WiFi switch work?**

Unfortunately it does not work. When pairing devices to WiFi, it is necessary to have 5 GHz WiFi switched off on the router to which you are connecting for trouble-free pairing.

Specifications

Input Voltage range:	12-24 V DC
Output Power (12 V):	144 W / 45 W/ gang
Output Power(24 V):	288 W / 90 W/ gang
Output:	RGB or RGBW
Dimensions:	43 x 38 x 14 mm (L x W x H)
Enclosure Material:	Fire-retardant ABS V0
Humidity:	5%-90% RH, Non-condensing
Wireless Standard:	802.11 b/g/n
Security Mechanism:	WPA-PSK/WPA2-PSK
Operating Temperature:	0°C-40°C (32°F-104°F)
Color:	Yellow
Gang:	4

Contact

If you have any questions contact us on e-mail:
info@cryptoservices.cz

For a faster response to queries, use our messenger:
m.me/voltio.cz

